



# FIRESTOP CENTRE

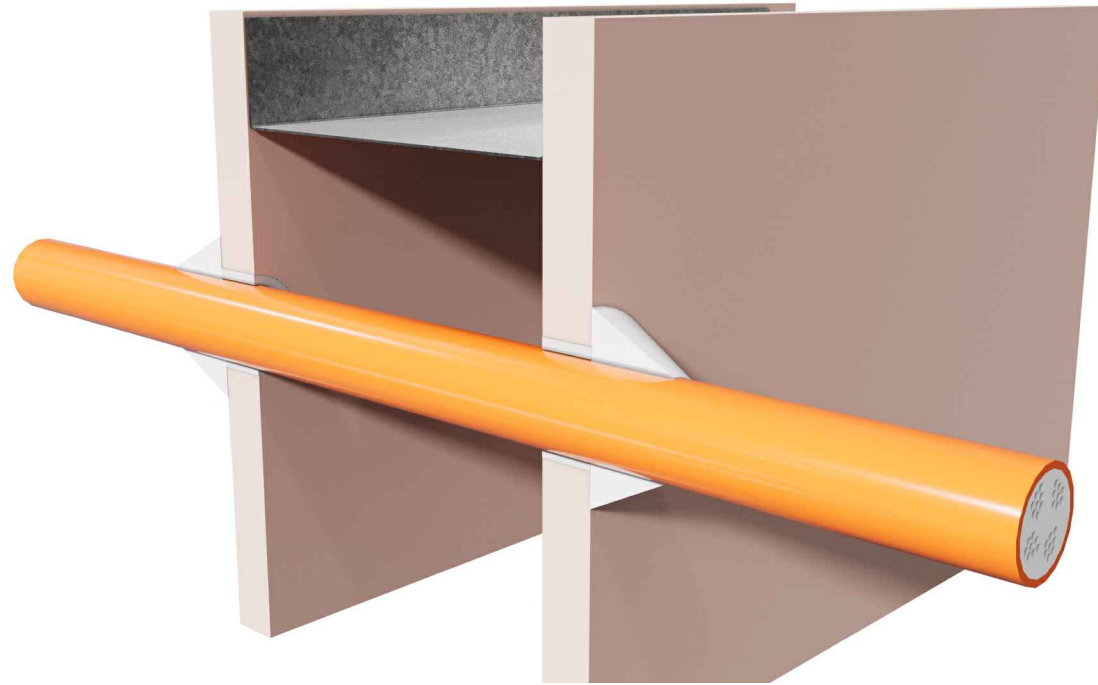
Authorised New Zealand Distributor  
Ph (09) 483 4000 www.firestopcentre.co.nz

## AGNI-Seal in 1 x 13mm Plasterboard Wall or 118mm Concrete Wall Up to 21mm OD Electric Cable FRR -/60/60

System ID# FC853

### Step-by-step installation instructions:

1. Ensure the aperture is free from dust and debris.
2. Apply AGNI-Seal around the cable to create a 20mm x 20mm sealant cone, sealing between the cable and the wall.



### Technical Information

Substrate	<ul style="list-style-type: none"> <li>• Min. 92mm steel / timber stud wall with a minimum of one layer of 13mm (or greater) FR plasterboard on each side, with or without insulation.</li> <li>• Min. 118mm concrete wall/masonry wall/block wall</li> </ul>
Service range	Up to 21mm OD Electric cable
Annular gap	4-9mm
AGNI-Products	AGNI-Seal
Protection installation	Both sides of the wall

### Compliance Information

Standards	AS1530.4-2014, AS4072.1-2005
FRR/FRL	-/60/60
Reference	RIRF24082 AE-105



8 Clare St Bayswater  
VIC 3153, AUSTRALIA  
www.agnitek.com.au

#### Disclaimer

Agnitek reserves the right to modify product specifications without prior notice due to its ongoing research, development & certification programme. The information in this document is provided in good faith and is intended for guidance purposes only. Any accompanying drawings are solely for illustrative purposes. Since Agnitek cannot oversee installation methods or ensure site conditions, no warranties, expressed or implied, are intended regarding the products' actual performance. We do not accept liability for any loss, damage, or injury from using this information. Please take a look at the test reports displayed on a relevant AGNI-System webpage for all compliance specifics.

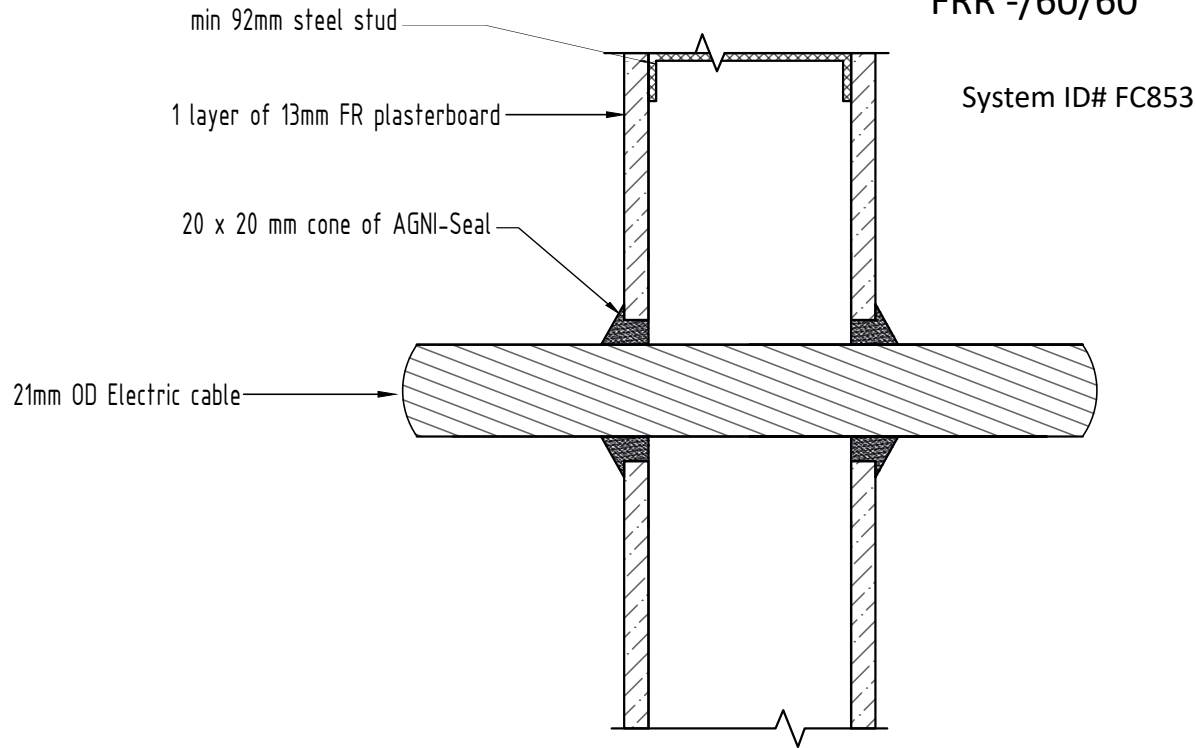
Date	20.06.2024
------	------------



# FIRESTOP CENTRE

Authorised New Zealand Distributor  
 Ph (09) 483 4000 www.firestopcentre.co.nz

## AGNI-Seal in 1 x 13mm Plasterboard Wall or 118mm Concrete Wall Up to 21mm OD Electric Cable FRR -/60/60



### Technical Information

Substrate	<ul style="list-style-type: none"> <li>Min. 92mm steel / timber stud wall with a minimum of one layer of 13mm (or greater) FR plasterboard on each side, with or without insulation.</li> <li>Min. 118mm concrete wall/masonry wall/block wall</li> </ul>
Service range	Up to 21mm OD Electric cable
Annular gap	4-9mm
AGNI-Products	AGNI-Seal
Protection installation	Both sides of the wall

### Compliance Information

Standards	AS1530.4-2014, AS4072.1-2005
FRR/FRL	-/60/60
Reference	RIRF24082 AE-105



8 Clare St Bayswater  
 VIC 3153, AUSTRALIA  
 www.agnitek.com.au

**Disclaimer**  
 Agnitek reserves the right to modify product specifications without prior notice due to its ongoing research, development & certification programme. The information in this document is provided in good faith and is intended for guidance purposes only. Any accompanying drawings are solely for illustrative purposes. Since Agnitek cannot oversee installation methods or ensure site conditions, no warranties, expressed or implied, are intended regarding the products' actual performance. We do not accept liability for any loss, damage, or injury from using this information. Please take a look at the test reports displayed on a relevant AGNI-System webpage for all compliance specifics.

Date	20.06.2024
------	------------